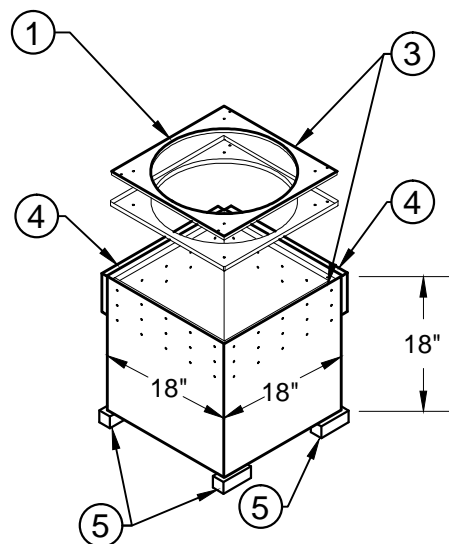


SECTION ELEVATION:



SECTION ELEVATION:

LEGEND:

- ① HPDE INSERT AS PART OF LID. ADHERE TURF PILE TO THIS SURFACE.
12 GAUGE STAINLESS STEEL LID CONSTRUCTION.
- ② MSSB-IV300-18 STAINLESS STEEL VALVE BOX. SHOWN W/OPTIONAL 6" EXTENSIONS
DEPENDING ON MAINLINE DEPTH. SEE IRRIGATION LEGEND FOR MODEL NO.
- ③ MSSB-160 STAINLESS STEEL VALVE BOX.
- ④ TREX POLYWOOD ATTACHED TO ALL FOUR SIDES OF EACH VALVE BOX. ADJUST
ACCORDING TO TURF PILE HEIGHT. (SUPPLIED BY CONTRACTOR)
- ⑤ CONCRETE BRICK SUPPORT UNDERNEATH THE BOTTOM CORNERS OF EACH VALVE
BOX (TYP).

NOTES:

- 1. SEE IRRIGATION LEGEND FOR MAINLINE DEPTH.
- 2. 6" VALVE BOX EXTENSIONS ARE OPTIONAL DEPENDING ON MAINLINE DEPTH.
DETAIL IS SHOWN WITH TWO (2) 6-INCH VALVE BOX EXTENSIONS TO RAISE
INSTALLATION DEPTH TO 30". REFER TO IRRIGATION LEGEND FOR PART NUMBERS.

TOTAL SOLUTION VALVE BOX INSTALLATION

N.T.S.
Total Solution In.dwg